

CL-FLTW SERIES Industrial Lighting

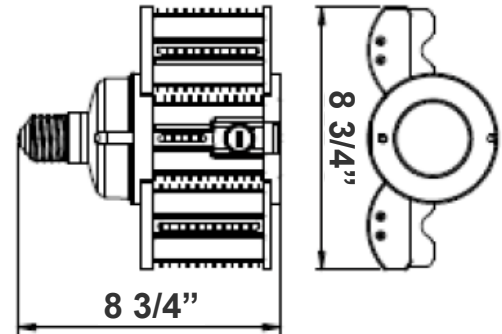
LED 180 DEGREE FLAT HID RETROFIT LAMP
CL-FLTW-54-75W-50K-E39

WESTGATE
THE FUTURE IS HERE...AND IT'S QUITE BRIGHT!

Customer Name: _____

Project Name: _____

Note: _____ | Type: _____



8 3/4"(H) x 8 3/4"(W)

This LED 180 Degree FlatHID Retrofit Lamp Replacement Lamps for Outdoor Pole/ Arm-mounted Area and Roadway Luminaires(UL Type B).

Features

- E39 Mogul Base
- 5-Year Warranty
- 50,000 Hours Rated Life
- Housing: PC + Aluminum
- Multi Power (Selectable Switches On The Lamp)

Technical Specifications

Electrical:

- Voltage: 120-277V AC 50/60Hz
- Wattage: 54W/ 63W/ 75W
- AC Direct / Bypass Existing Ballast
- Power Factor: >0.9
- THD: ≤20%
- Efficacy: 150LPW

Mechanical:

- Housing: PC + Aluminum, Pure aluminum heatsink, NO Fan
- E39 Mogul Base
- Adjustable lenses (0° - 75°)
- Meet 6KV Surge Immunity Level
- Suitable for use in enclosed luminaires, min. lamp compartment dimensions: 16.5"X 9"X 9"
- Direct Replacement for Metal Halide, Easy Installation
- Operating Temp: -40°F to 122°F
- IP 64 Suitable for Damp Location

Lighting:

- Multi Power (Selectable Switches On the Bottom of The Lamp)
- LED SMD type:SMD 2835
- Total Lumens: 11250LM Max.
- Color Temperatures: 5000K
- Color Rendering Index: CRI ≥ 80
- Beam Angle: 120°

Applications:

- Replacement Lamps for Outdoor Pole/ Arm-mounted Area and Roadway Luminaires(UL Type B).

Other Models:

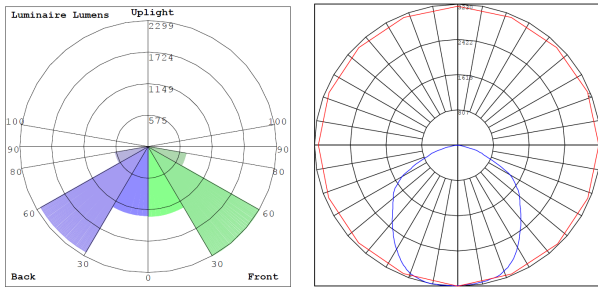
- 110W | 16500LM | CL-FLTW-90-110W-50K-E39



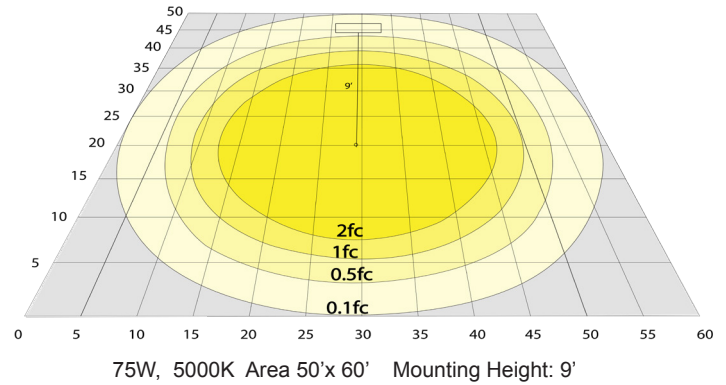
Phone: (877) 805-2252 | Fax: (877) 805-2252
www.westgatemfg.com



Photometrics: CL-FLTW-54-75W-50K-E39



BUD Rating: B3-U0-G1



Other Views:



Side View



Close View



Back View

Performance Table: CL-FLTW-54-75W-50K-E39

MODEL NO.	Wattage	Voltage	Lumens	Color Temp.	BUG Rating	LPW
CL-FLTW-54-75W-50K-E39	54W 63W 75W	120~277V	8100 9450 11250	5000K	B3-U0-G1	150

Sample Ordering

Model **Size** **Wattage** **Wattage** **Color Temp.** **Base**

CL - FLTW - 54 - 75W - 50K - E39

Example:

1. CL-FLTW-54-75W-50K-E39 (FOR CL FLTW 54-75W FIXTURE 120-277V)

